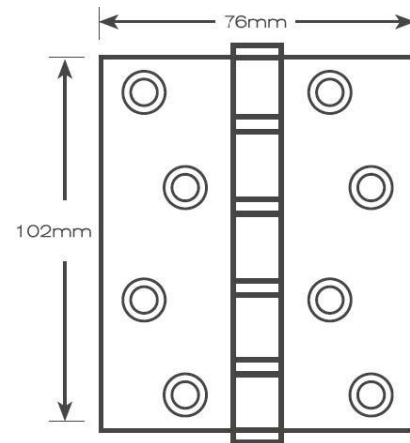


20001 Hinge

Not to scale



Overview

20001 102x76x3mm

ball bearing hinge with square corners

20001R 102x76x3mm

ball bearing hinge with radius corners

- Grade 304 stainless steel
- Suitable for doors up to 120kg
- Available with square or radiused corners
- Tested to EN1935 Grade 13
- CE Marked
- Certifire approved: CF5684

Maintenance

- To be carried out by approved specialist only.
- No abrasives or chemical materials to be used, wipe with soft damp cloth, or when necessary warm soapy water and a soft cloth. Every three months check that the lever handle grub screw is flush with the surface on the handle. If it is projecting re tighten it. If the rose is loose remove the rose cover and tighten the through fixing bolts
- If for any reason the products fail due to a defect in manufacture contact us and we will advise you of the replacement procedure

Certification

Tested to BS EN1935 grade 13

Operation

Tested to 500,000 cycles

Warranty

Supported by a 2 year warranty

Please note:

Aspex reserves the right to change specification without notice.