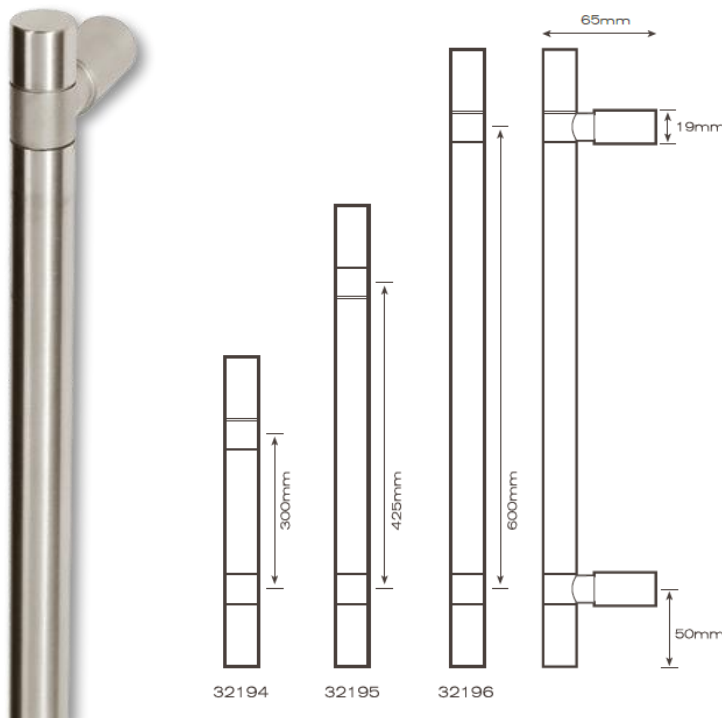


32 Series - Pull Handle

Not to scale



Overview

- Available bolt through fixed, back to back fixed and on faced fixed roses
- Suitable for door thickness up to 54mm
- Manufactured from tubular grade 304 stainless steel
- Dimensions comply with the requirements of BS8300 and Approved Document M

Finishes

- SSS Satin Stainless Steel
- PSS Polished Stainless Steel

Maintenance

- To be carried out by approved specialist only
- No abrasives or chemicals to be used.
- Wipe with soft, damp cloth or, when necessary, warm soap warm and a soft cloth.
- At least once a year, check for tolerance and wear, and tighten any screws that may become loose.
- If for any reason, the products fail due to a defect in manufacture, contact us and we will advise on the replacement procedure.

Packaging

Individually boxed with screws and care instructions. Multiple handles in an outer box (varies per order).

Please note:

Aspex reserves the right to change specification without notice.