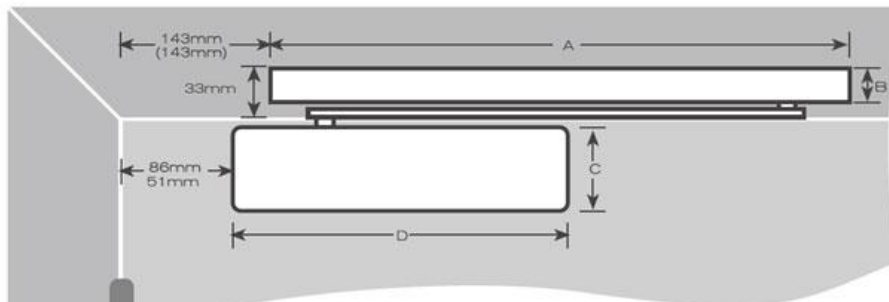


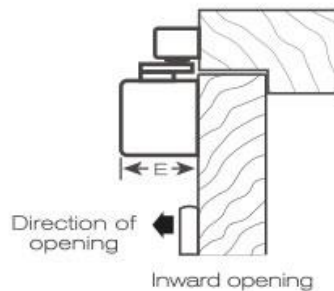
44008 Door Closer SAA

Not to scale



- A - 428mm
- B - 20mm
- C - 70mm
- D - 312mm
- E - 55mm

(dimensions in brackets are for outward opening doors with 1.2mm stops)



Overview

- Adjustable power guide rail door closer - aluminium
- Adjustable power size EN 2-4
- Non-projecting arm prevents vandalism
- Complies with the requirements of BS 8300 & Approved Document M (please consult our technical department for more information)
- Suitable for interior doors up to 1100mm wide

Finishes

- Satin anodised aluminium with matching arm

Maintenance

- To be carried out by approved specialists only
- A door stop must be fitted to limit the opening of the door
- Regularly check the assembly for tolerance and undue wear
- Tighten any screws or bolts that may become loose and adjust the closer if necessary
- Annually grease the moving parts and check the operation of the doors adjusting if necessary
- Repair works or any replacements have to be executed by the manufacturer or specialists authorised by the manufacturer
- If, for any reason, the product fails due to a defect in manufacture, contact us and we will advise on the replacement procedure

Standards

CE Marked
Fully tested to EN1154
Classification 4.8.4/2.1.1.3

Performance

Tested to meet the requirements of PAS24 as part of a compliant door set

Warranty

Supported by a 2 year warranty

Packaging

Individually boxed with assembly & care instructions. Multiple handles in an outer box (varies per order).

Please note:

Aspex reserves the right to change specification without notice.