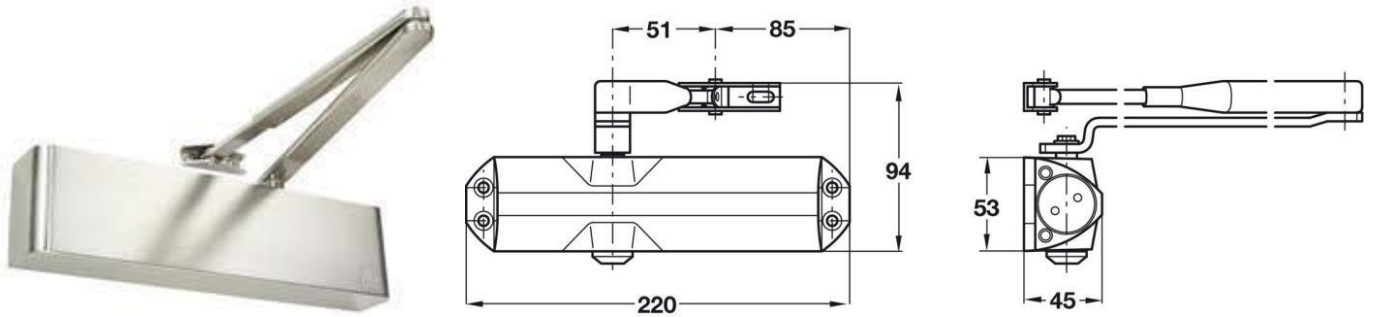


49001A Door Closer with Cover

Not to scale



49001A Door Closer

Specification

- Adjustable power size 2-4 (by position)
- Adjustable closing speed
- Adjustable latch action
- CE Marked
- Certifire approved for use on FD30 and FD60 fire-rated doors
- Available in Polished or Satin Stainless Steel
- Arm finish to match the cover

Maintenance

- Maintenance must be performed by specialist ensuring maintenance and servicing are in align with regulations. Check that the arm connecting to the body of the closer is tight and not loose.
- Check the door operation by releasing the door from fully open position, ensure it closes fully into the frame and that the latch, if fitted, slides fully into the strike plate
- Repeat check, by releasing door from different opening angles. If door closure speed needs adjusting, a specialist can adjust the speed value, power controls etc.

Certification

Tested to EN1154 4.8.2/5.1.1.3

Performance test

Tested to 500,000 cycles

Warranty

Supported by a 2 year warranty

Please note:

Aspex reserves the right to change specification without notice.