



aspex

novista
riser

**steel door
installation guide**

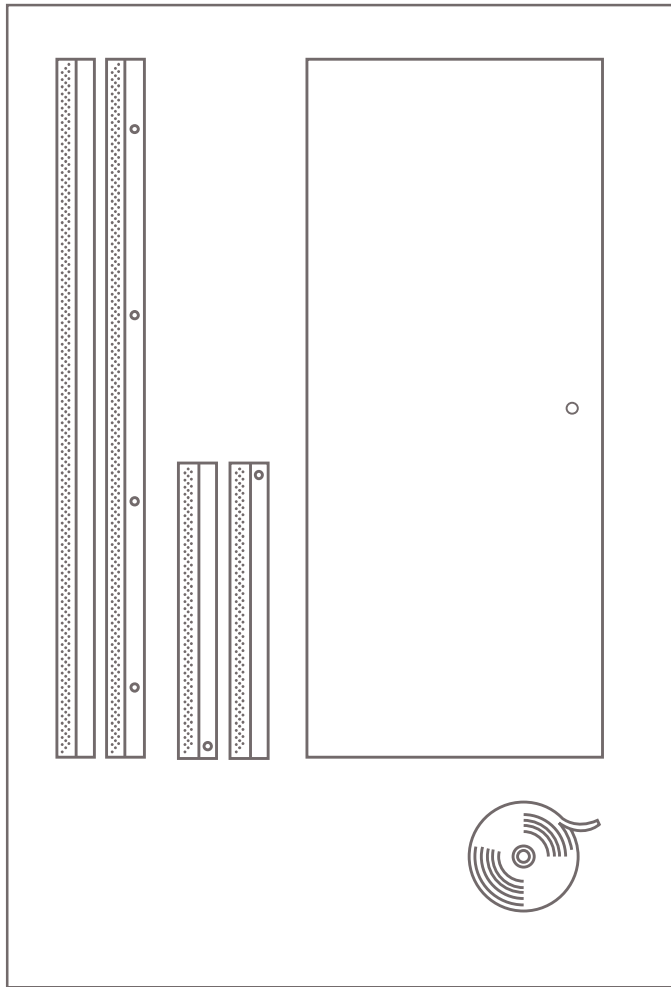
hidden door system

aspex

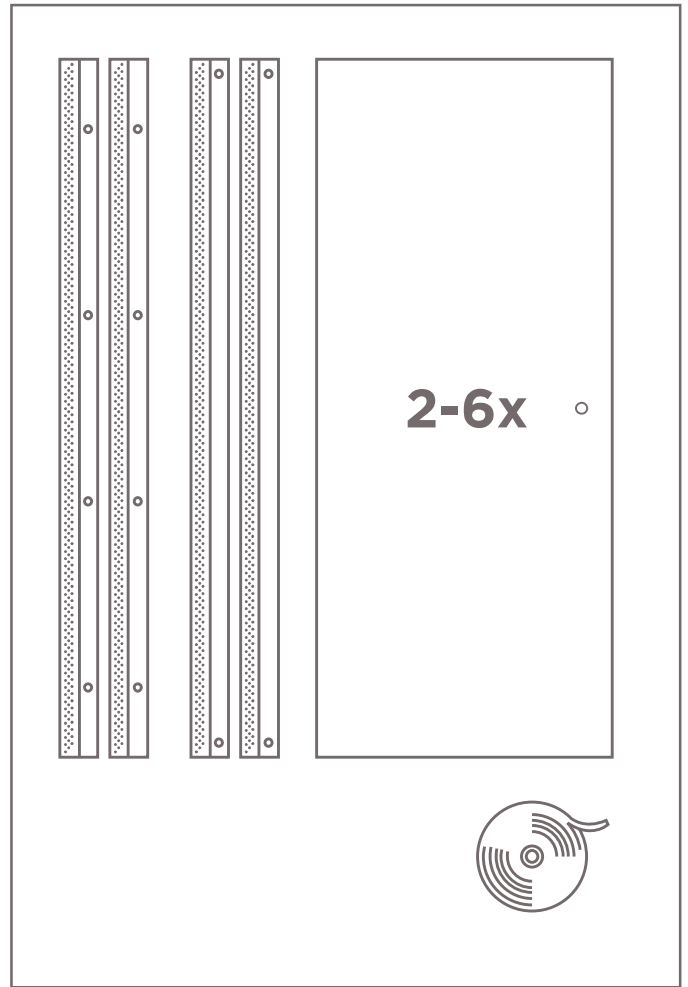
www.aspex-uk.co.uk

novista
riser

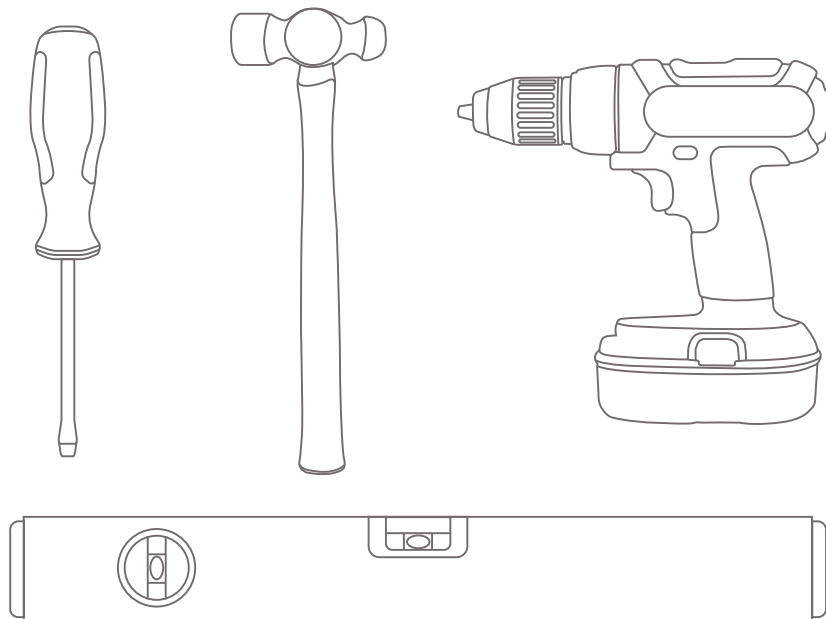
single door components



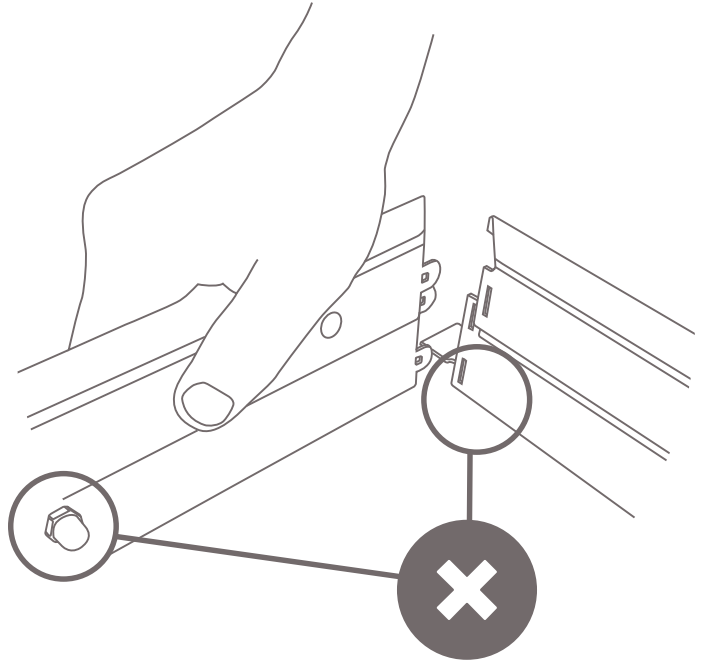
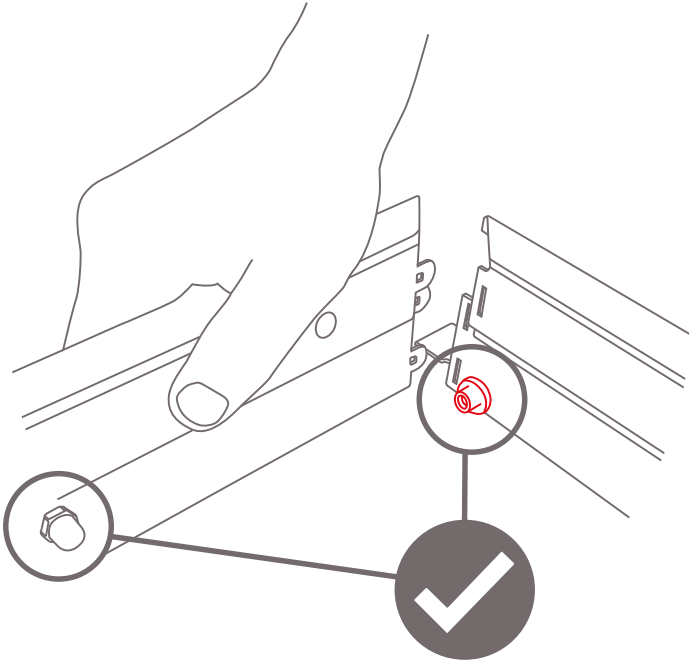
multiple door components



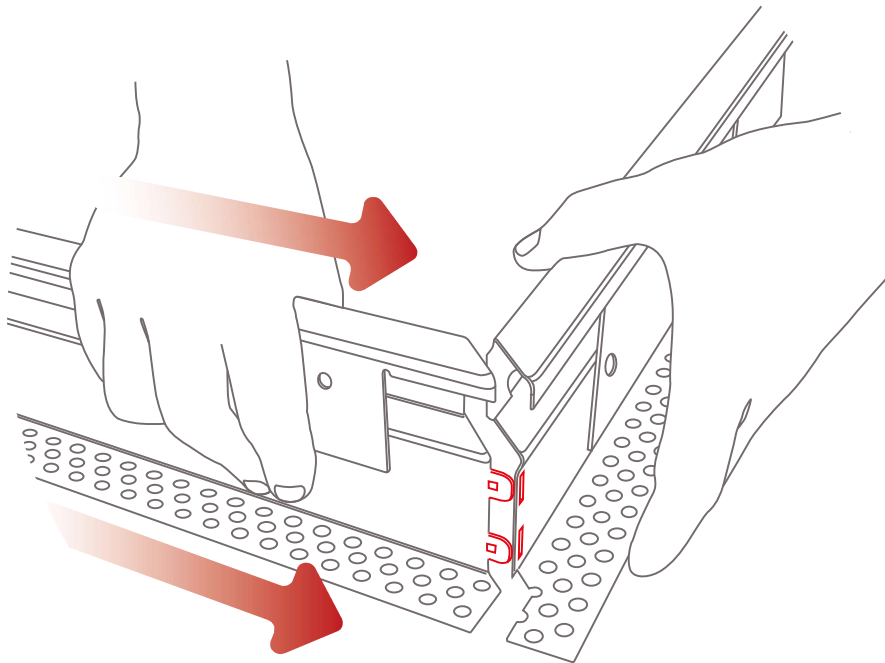
tools required



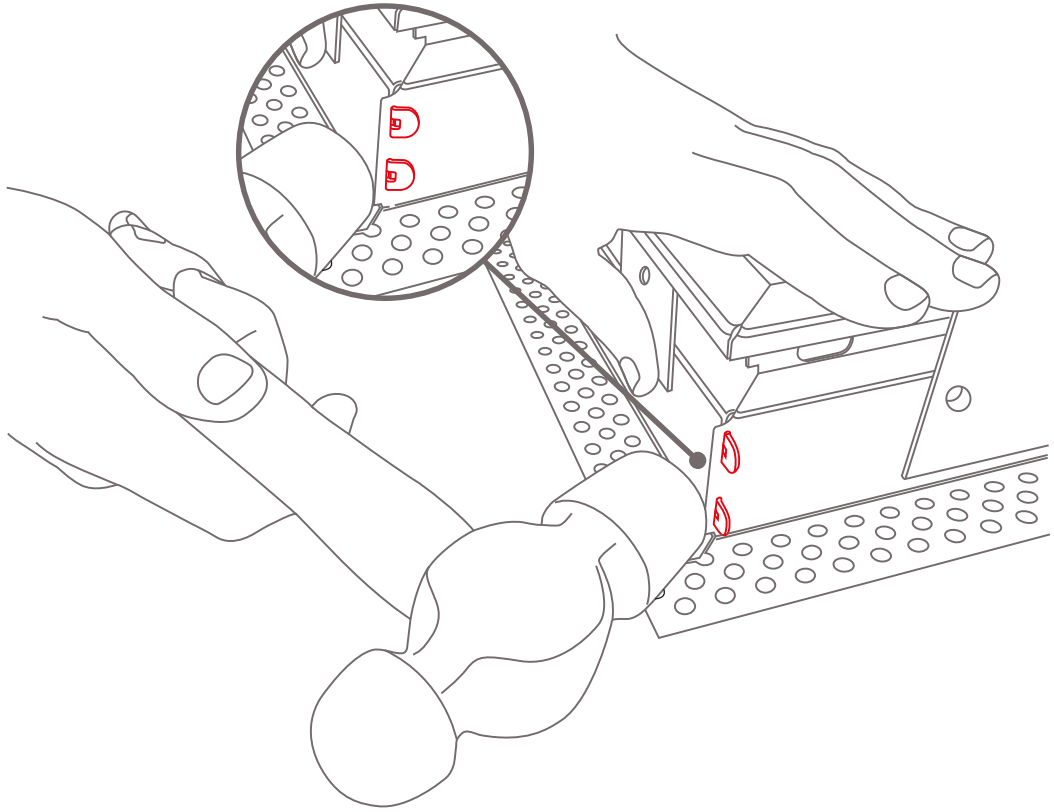
1



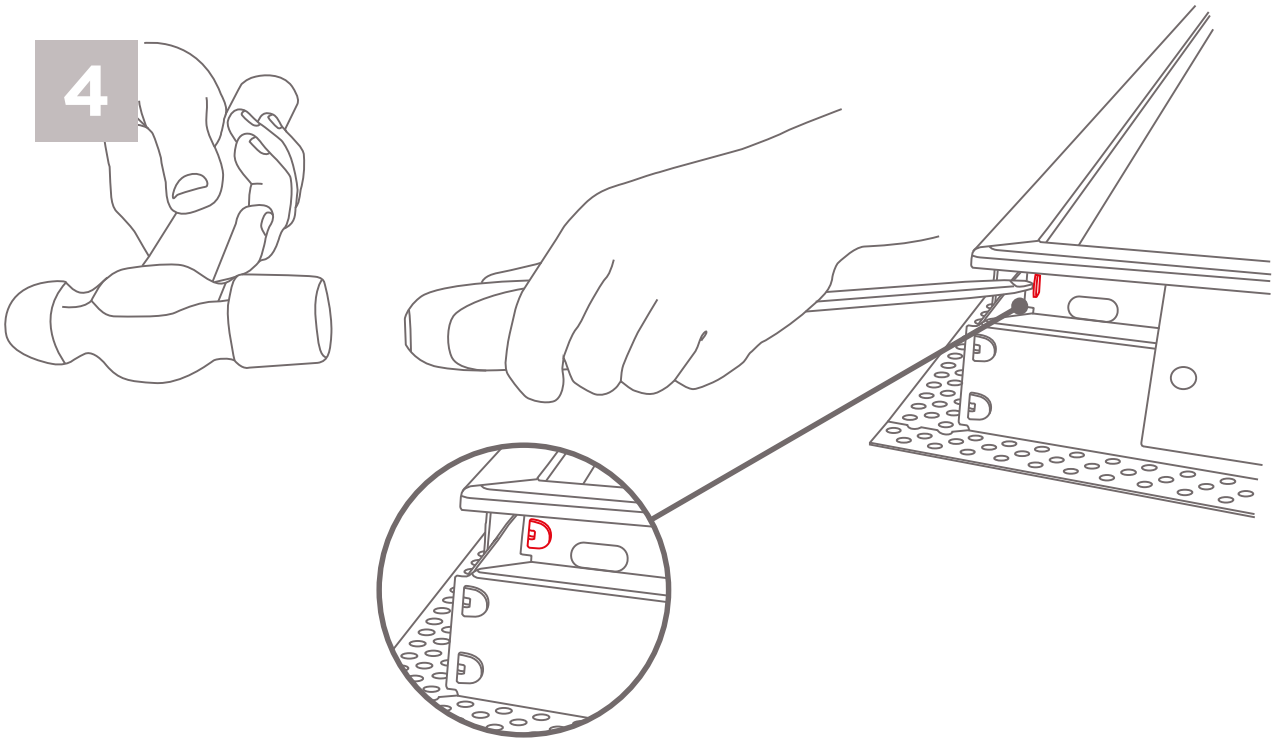
2



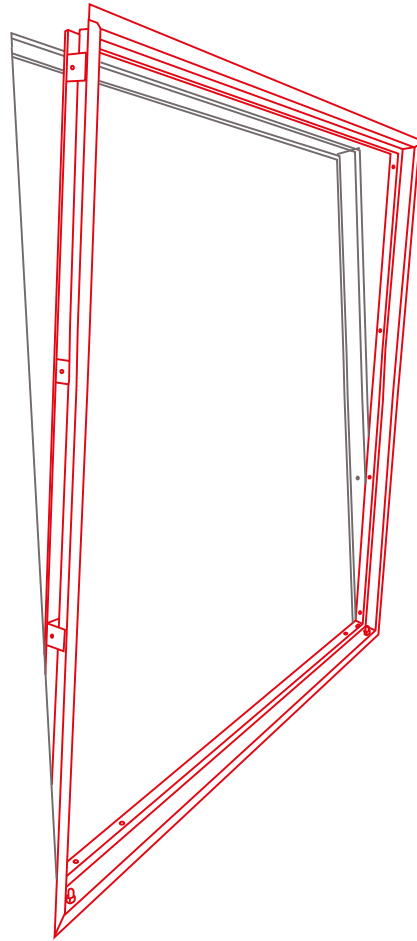
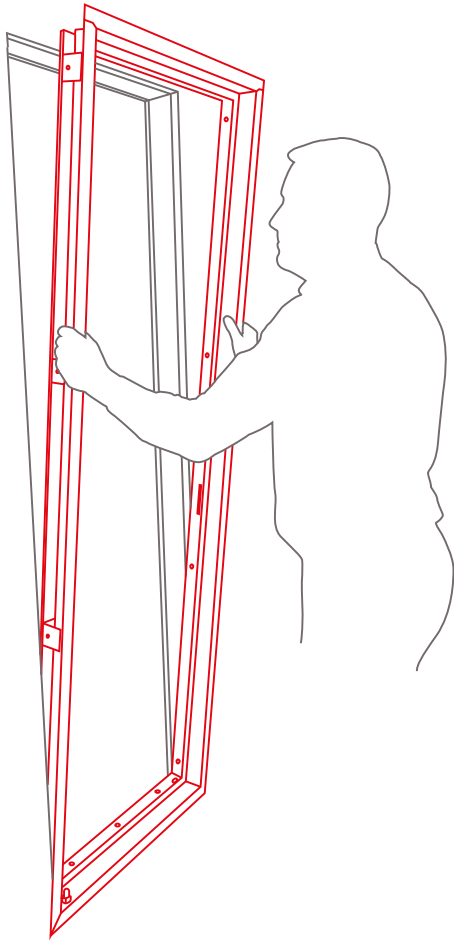
3



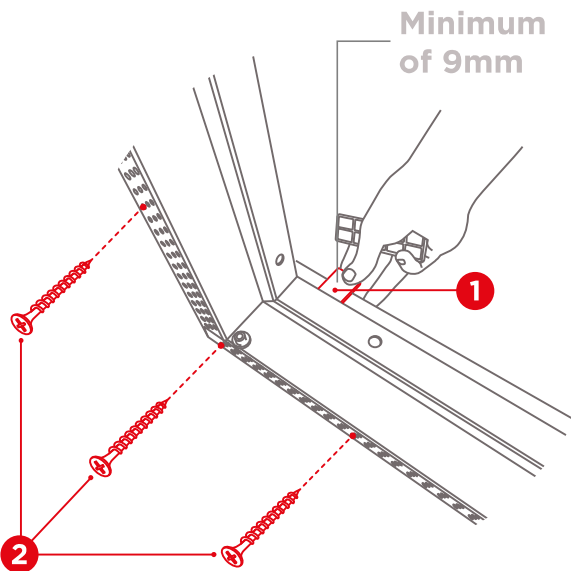
4



5

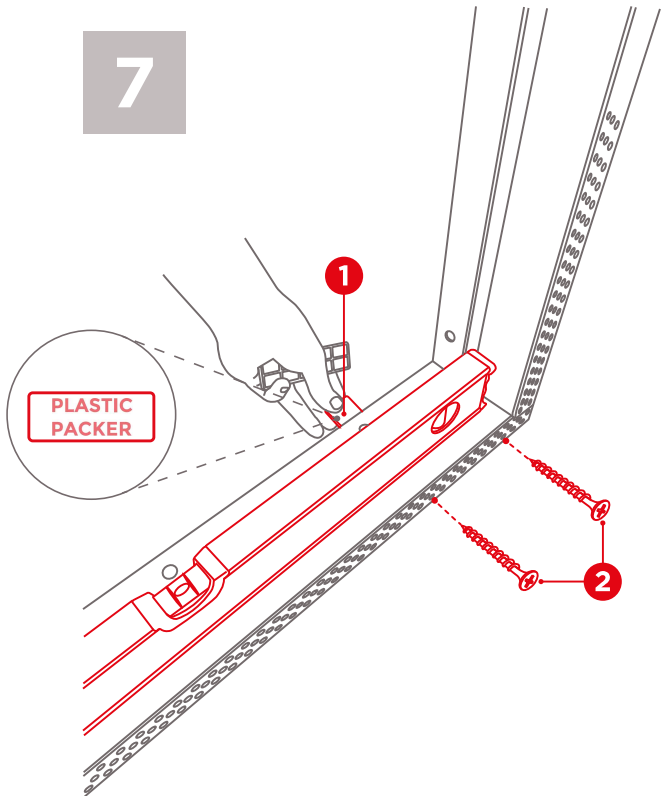


6

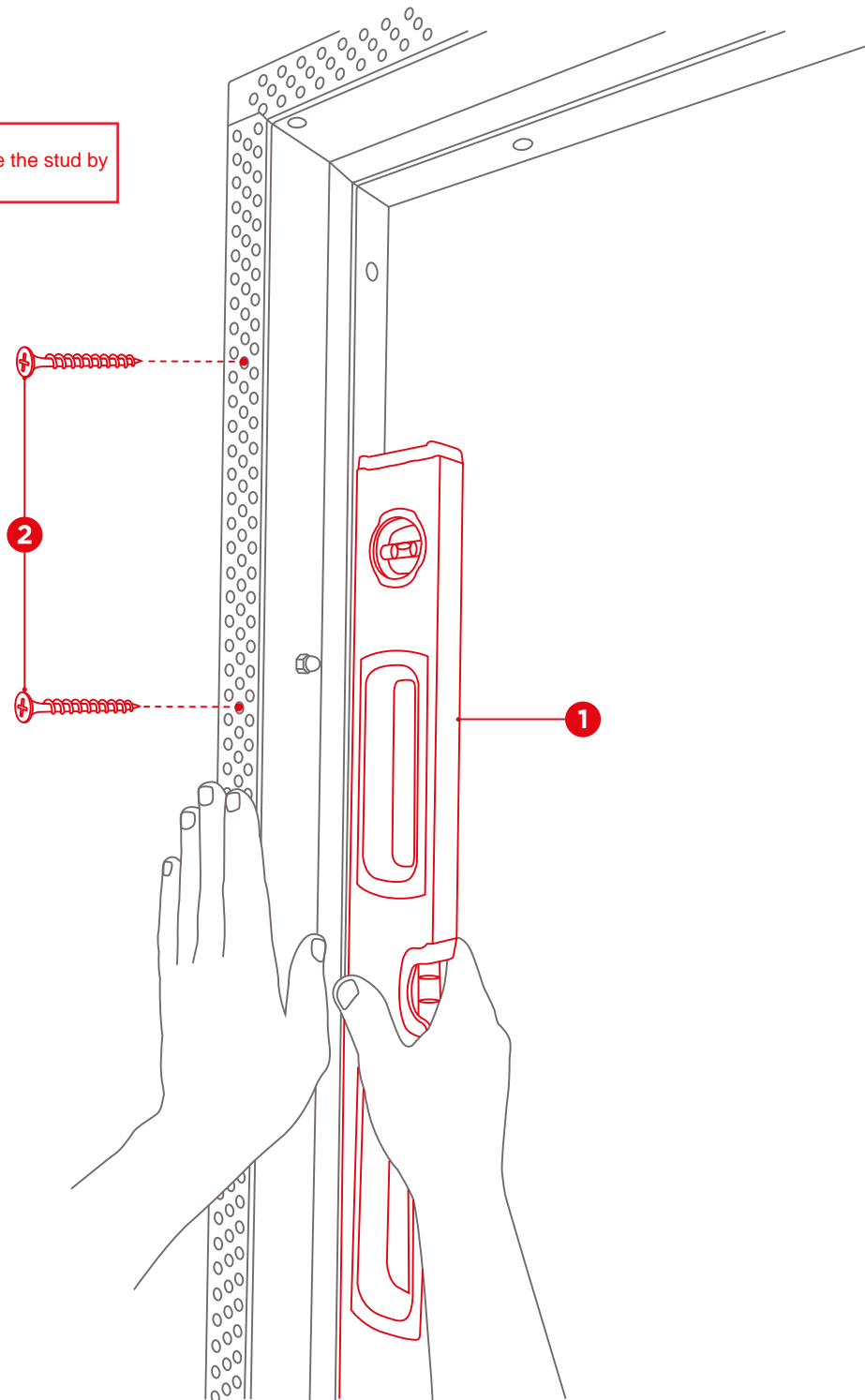


Important!
Screws need to penetrate the stud by minimum of 50mm

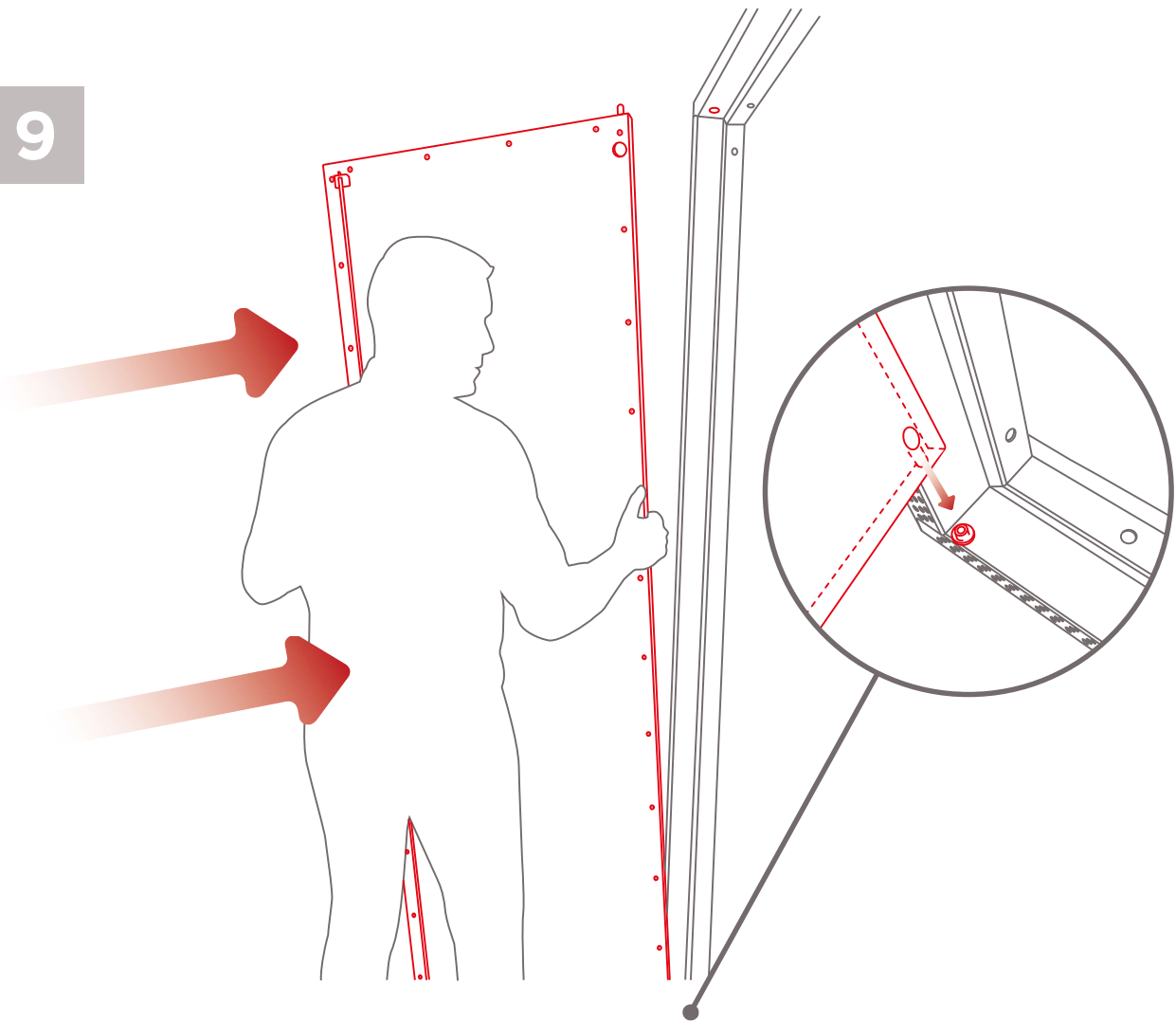
7



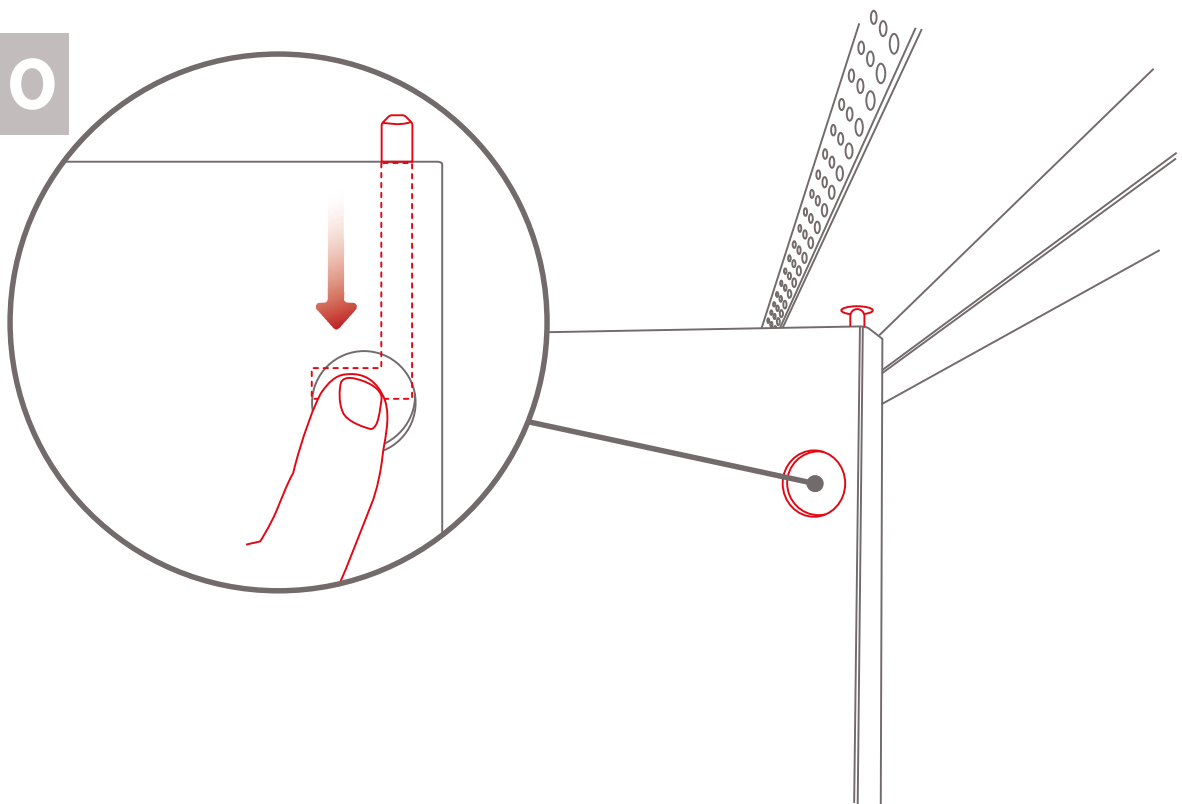
Important!
Screws need to penetrate the stud by minimum of 50mm



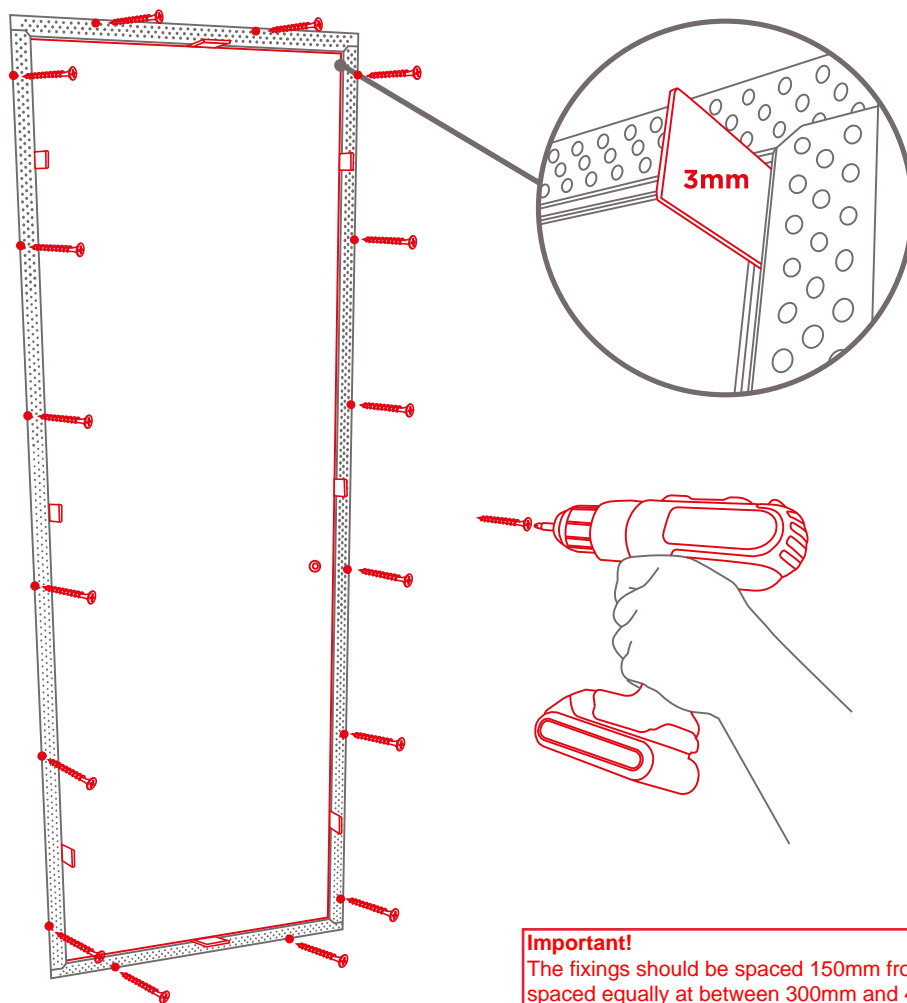
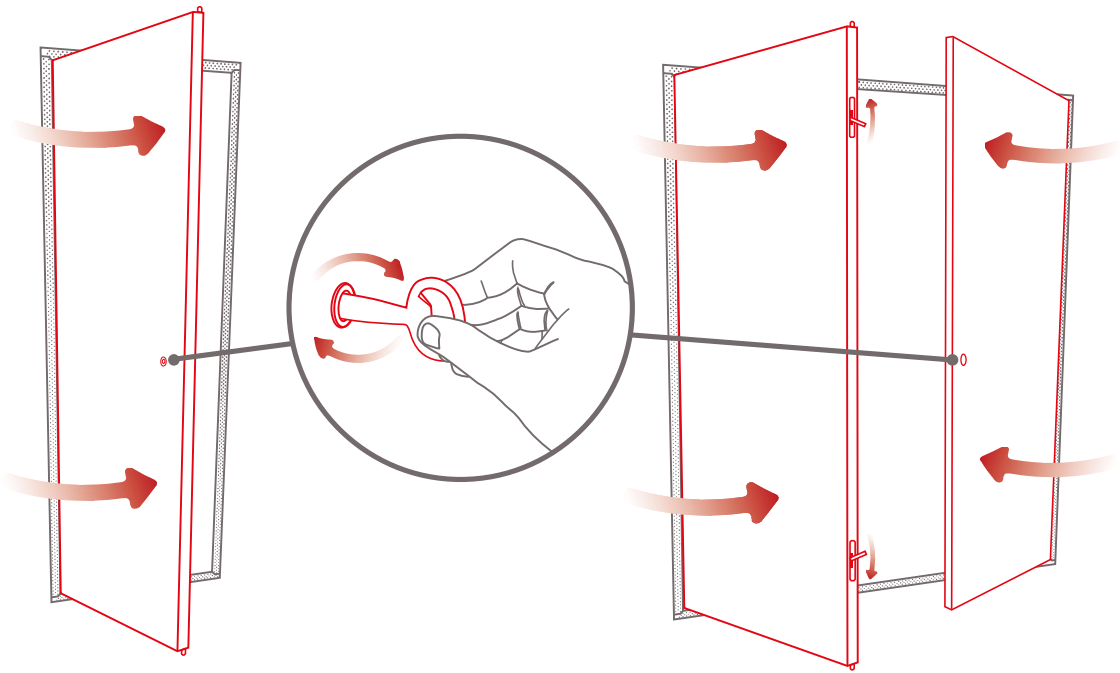
9



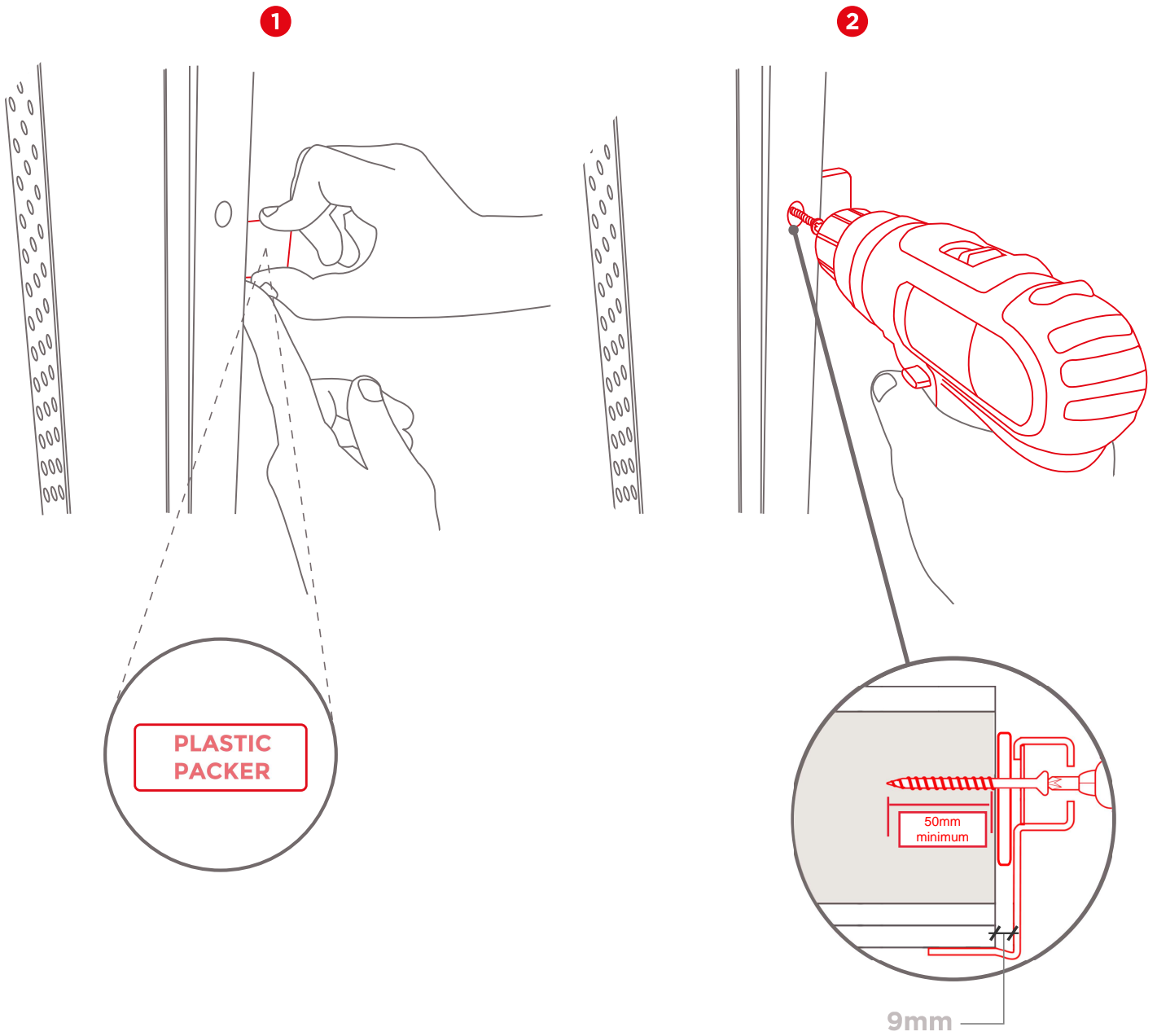
10



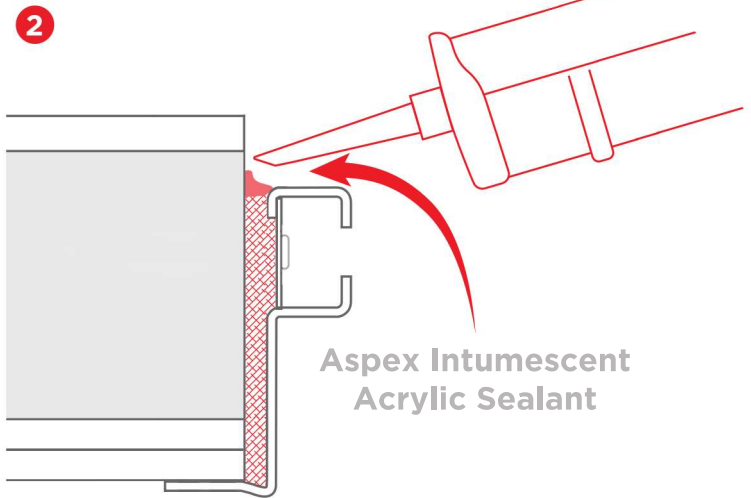
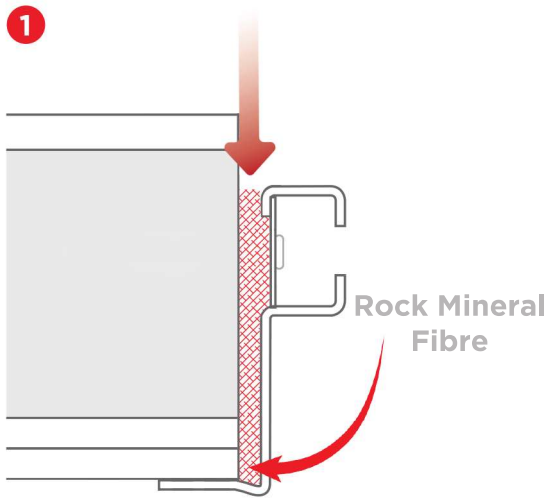
11



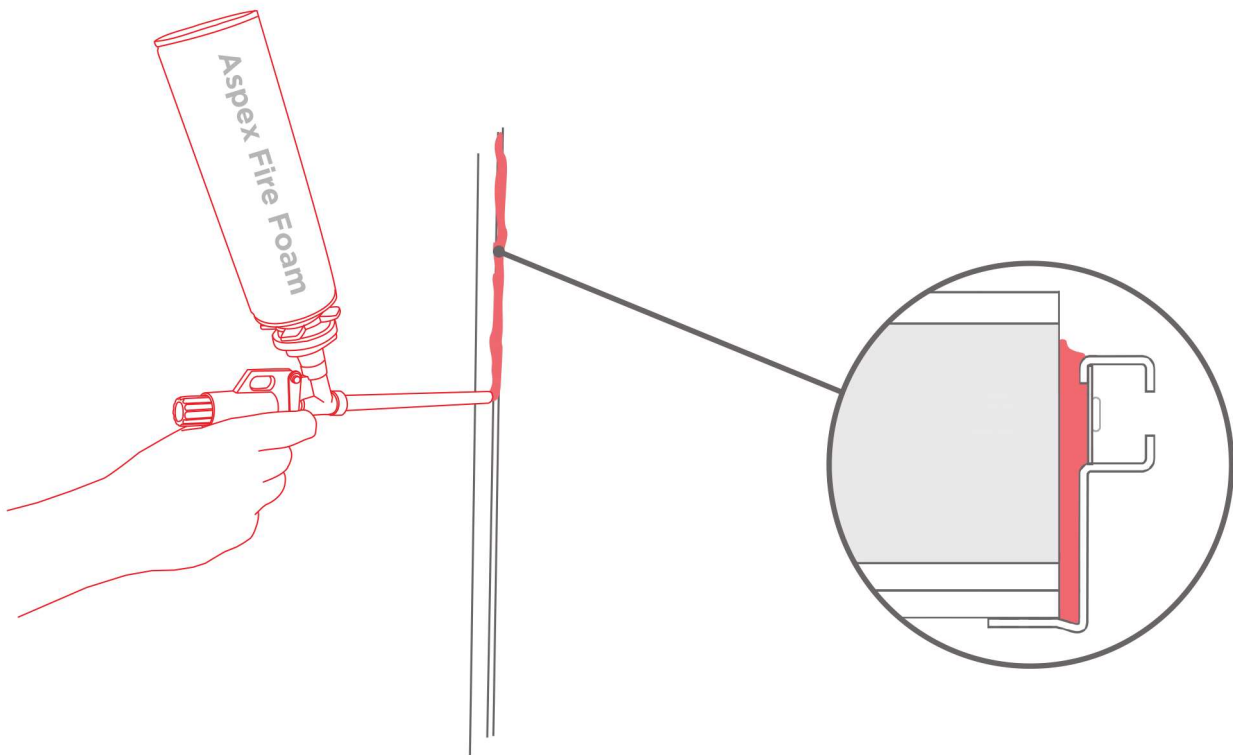
Important!
The fixings should be spaced 150mm from each corner and spaced equally at between 300mm and 450mm centres. The recommended screws to use are 3.5mm x 80mm and should penetrate through the plasterboard into the stud



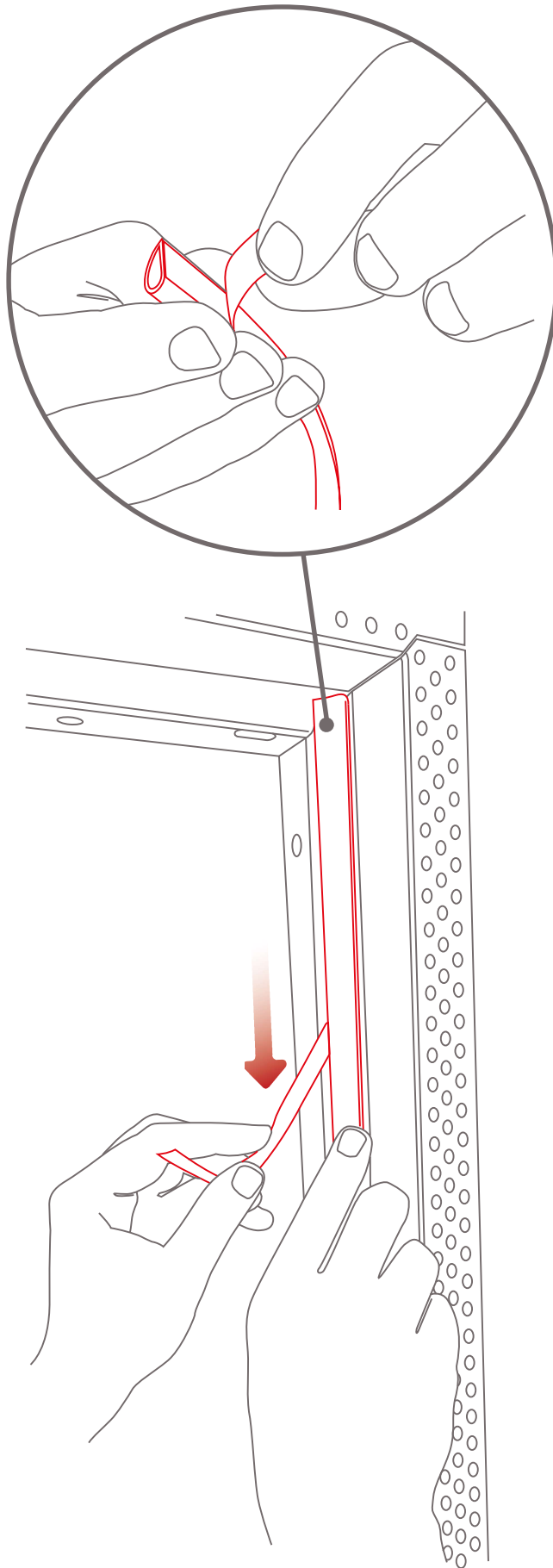
Important!
Ensure that fixings are utilised in all of the frame holes.
Steel screws must be used and they should locate at least 50mm into the adjoining wall construction



OR

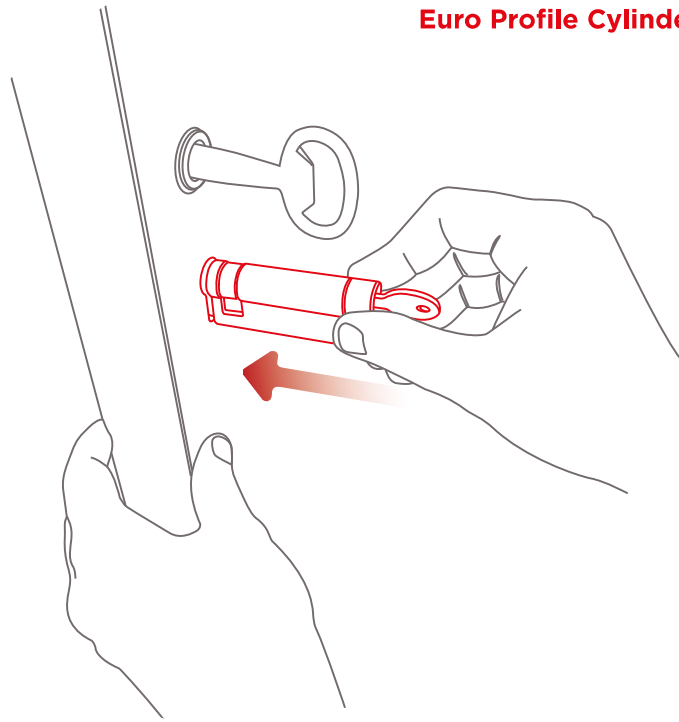


[Click here for our fire stopping datasheets](#)

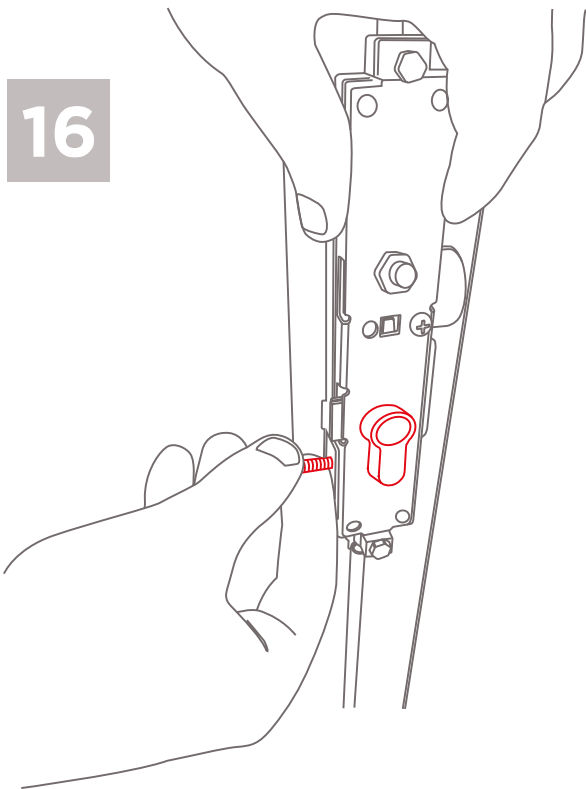


15

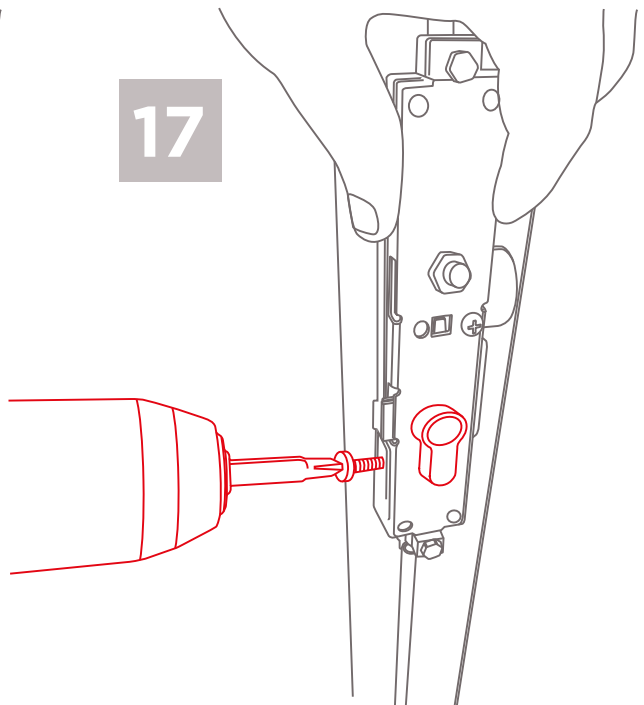
Euro Profile Cylinder version only.



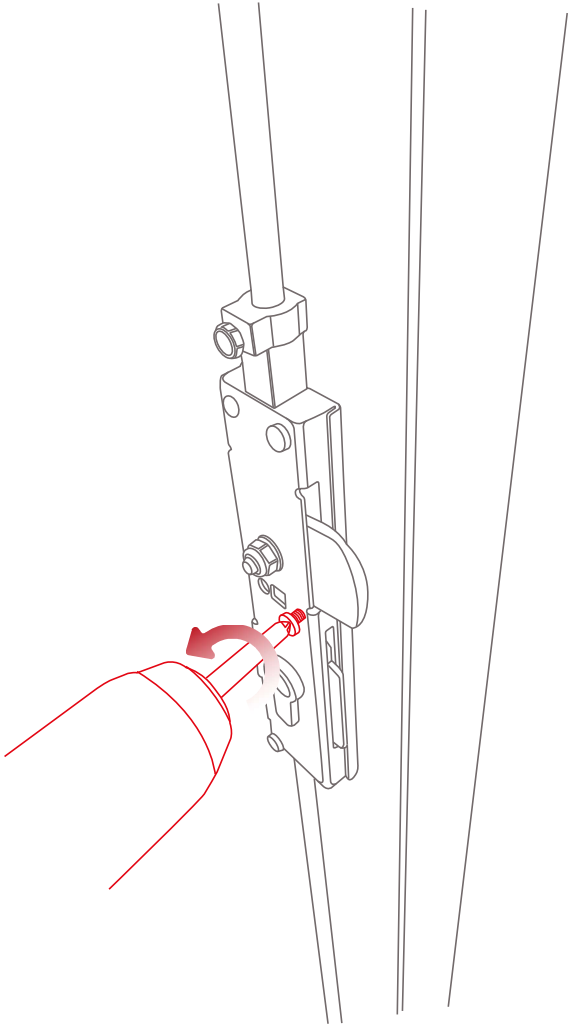
16



17

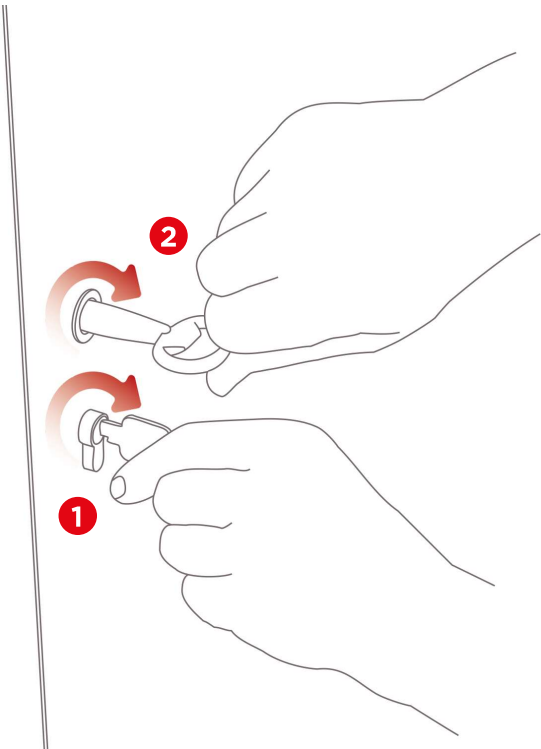


18

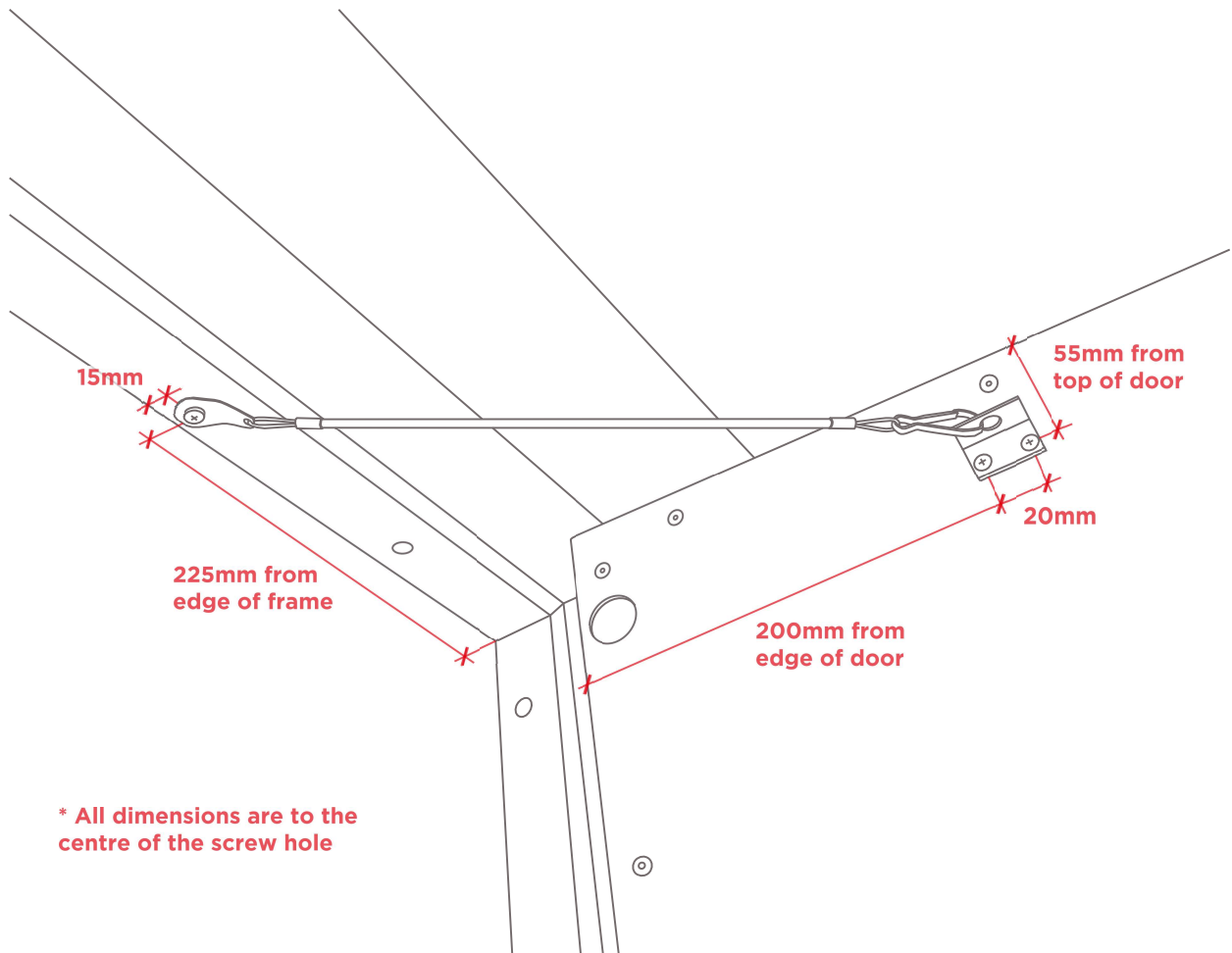


Important!
To activate the cylinder, the small screw must be removed. Once the screw is removed the cylinder should not be exchanged. If the cylinder requires change, seek advice via our technical department

19



Novista Riser door restrictors are also available to prevent the door from opening more than 90°



aspex

novista
riser

www.aspex-uk.co.uk

Aspex UK

Winchester Avenue
Blaby
Leicester
LE8 4GZ

T: 0116 278 3506

F: 0116 278 4069

E: sales@aspex-uk.co.uk

Company Registration: 05787953

Aspex Scotland

39 Deerdykes View,
Westfield,
Cumbernauld,
G68 9HN

T: 01236 720061

F: 01236 780170

E: scotland@aspex-uk.co.uk

Company Registration: 05787953