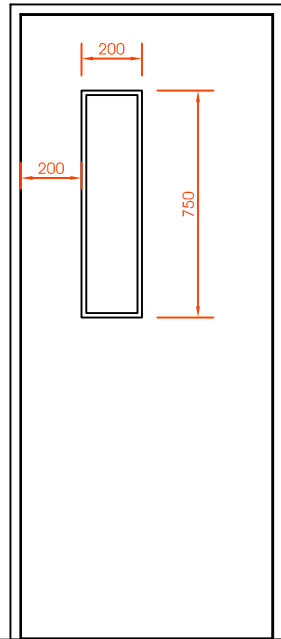
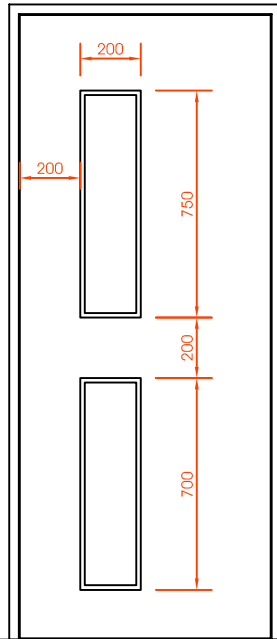


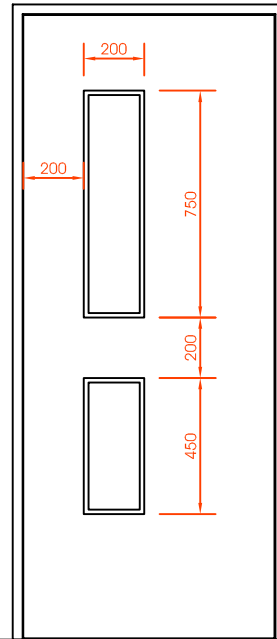
Vision Panel (VP) VP-A



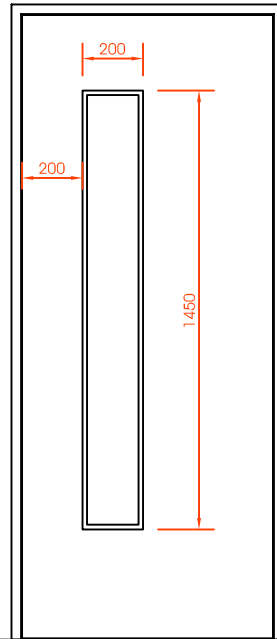
VP-B



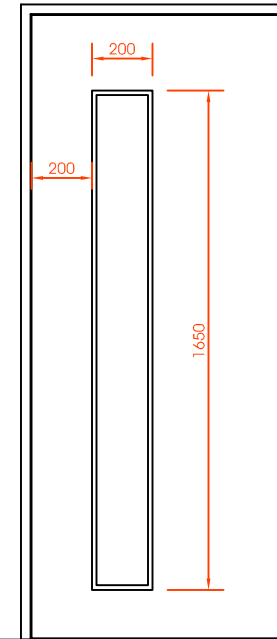
VP-C



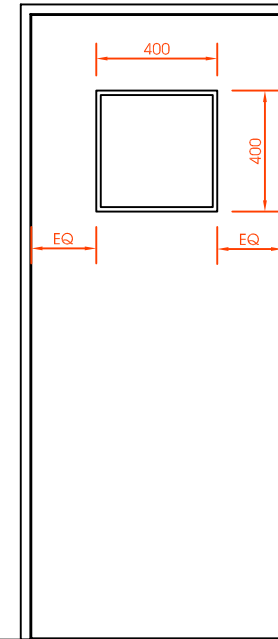
VP-D



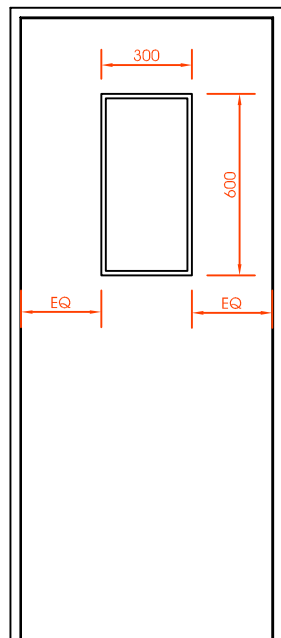
VP-E



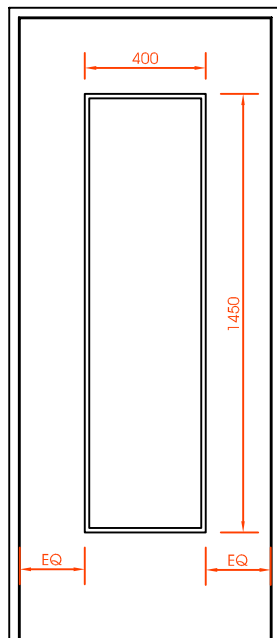
VP-F



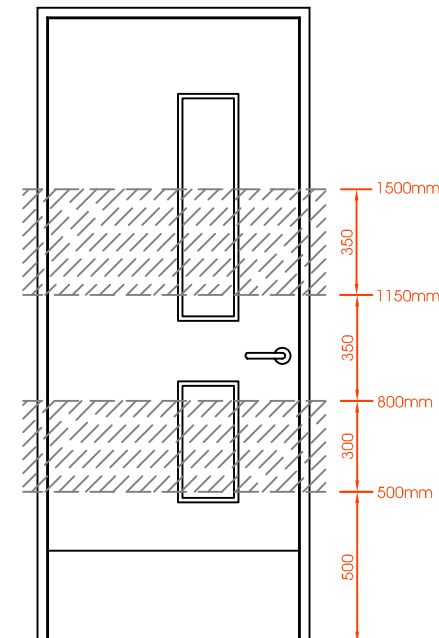
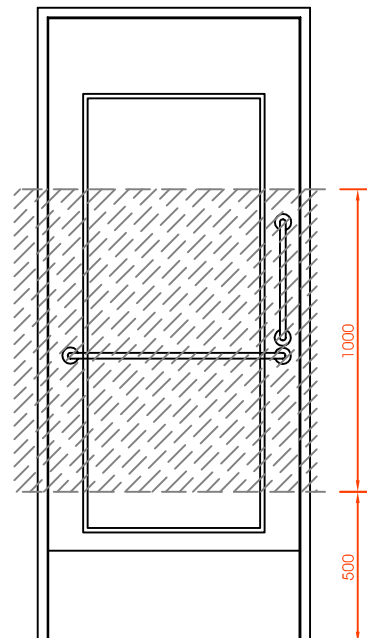
VP-G



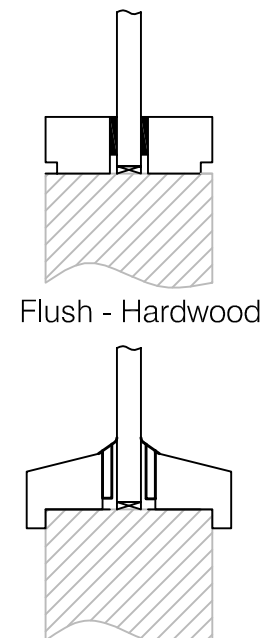
VP-H



Minimum zones of visibility



Glazing Bead



Bolection - MDF Wrap Or Hardwood

NOTES

The vision panels shown are typical of our most commonly used designs.

Alternative design options are available, subject to fire certification and minimum aperture margins.

Glazing bead dimensions and seal arrangements will vary depending on fire & acoustic certification.

REV:	COMMENT:	DATE:

Notes:

1. Do not scale drawings
2. Site verify all dimensions prior to construction
3. Report all discrepancies to Aspex immediately
4. Read in conjunction with all relevant documents and drawings

TITLE:
**Vision Panels &
 Hardwood and Softwood**

DRAWN BY: IS DATE: FEB 2016 SCALE: 1:25@A3

England and Wales Tel: 0116 278 3506
 Scotland and Ireland Tel: 0123 672 0061

WEB: www.aspex-uk.co.uk
 E-MAIL: sales@aspex-uk.co.uk

DWG No. **CO-1200** REV.